

Distribution Board - xBoard
Non-split and split type - TPN

Safest, simplest and efficient system for power distribution



EATON

Powering Business Worldwide

Product overview

A - Non-split type DBs



B - Split type DBs



General characteristics

Our inspirations are our customer's expectations and our mission is to meet them and provide satisfaction through quality products, services and delivery.

Eaton xBoard range of distribution solutions is the basis for development and growth in meeting all the demands for a successful future in residential, commercial and infrastructure segments.

The Distribution Board is designed as per the new standard IEC 61439-3

- It is easy to select, install and use.
- It is fitted with a removable and adjustable chassis.
- The front door is removable and reversible.
- For convenience and easy access the gland plates on the top and bottom are removable.
- The lock is a standard metal lock, key lock provision is also available.



Product overview

- Available in flush and surface mounting design.
- Colour available as standard RAL 7035 and other colours are available upon request.
- Incomer options: Isolators, MCBs, RCDs, MCCBs and direct connection.

- Complete with earth and neutral terminals suitable for 25mm² wire
- Tin plated busbars are provided to enhance conductivity. DIN rail provided for easy placing of outgoing devices.

Accessories

Blanking plate, terminal shield and lock with 2 keys

Technical data

Standard: IEC 61439-3

Voltage range: 3-Phase, rated voltage 240/415V, 50/60Hz

Degree of protection: Indoor use IP4x or IP 42

Enclosure thickness: 1.25mm Solid construction

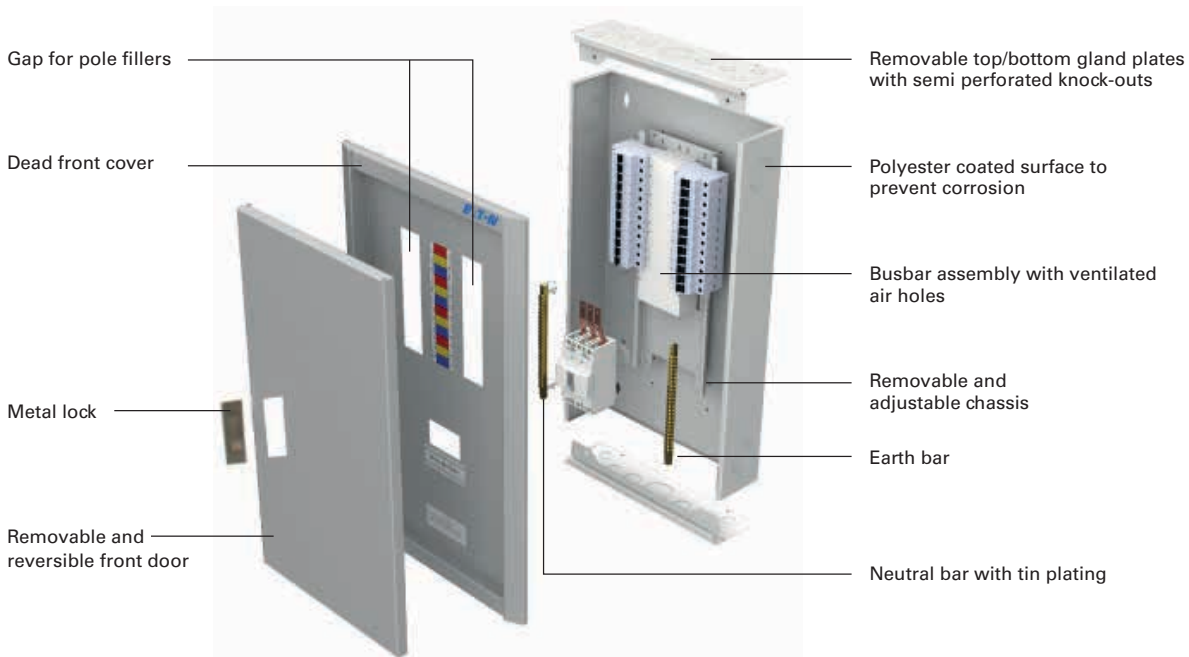
Enclosure material: Polyester coated sheet steel enclosure

Short circuit level
20kA for 0.25 sec

A - Non-split type:

Rated busbar capacity: 100A, 125A, 200A and 250A

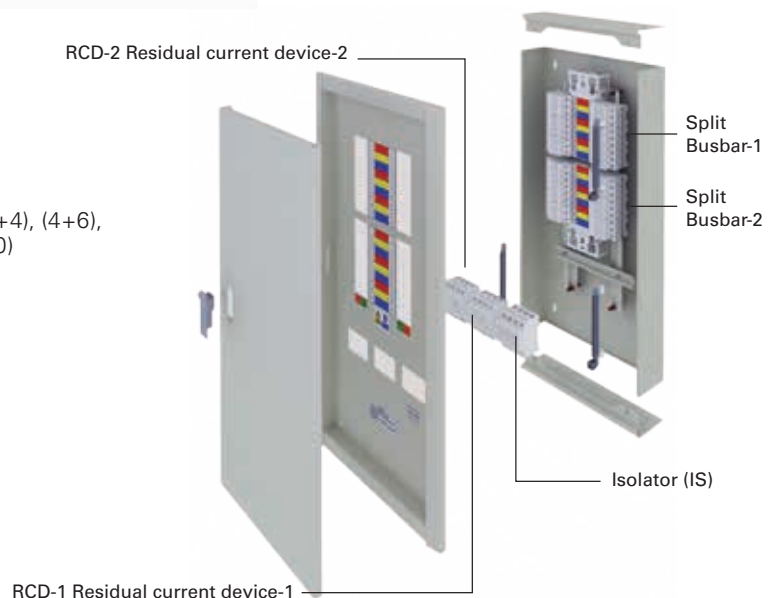
No. of TP (SP) ways: 4(12), 6(18), 8(24), 10(30), 12(36), 14(42), 16(48), 18(54), 20(60).



B - Split type:

Rated busbar capacity: 100A

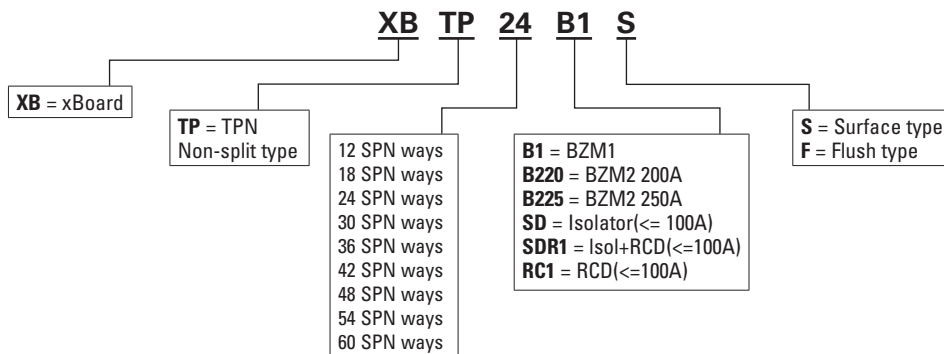
No. of TP ways: (2+2), (2+4), (2+6), (2+12), (4+2), (4+4), (4+6), (4+8), (4+10), (4+12), (6+2), (6+4), (6+6), (6+8), (6+10), (8+2), (8+4), (8+6), (8+8), (10+4), (10+6), (12+4)



Ordering and dimension details

1 - Non-split type DBs

Part number reference



Type	Busbar rating	Type of mounting	Outgoing ways		Part number with multiple incomer provision				Dimensions (mm)				
			SP	TP	Isolator (<=100A)	Article number	Isol + 4P RCD (<=100A)	Article number	Only 4P RCD (<=100A)	Article number	H	W	D
TPN DB (Din rail incomer)	100A	Flush	12	4	XBTP12SDF	187460	XBTP12SDR1F	187521	XBTP12RC1F	187478	614	427	128
			18	6	XBTP18SDF	187461	XBTP18SDR1F	187522	XBTP18RC1F	187479	668	427	128
			24	8	XBTP24SDF	187462	XBTP24SDR1F	187523	XBTP24RC1F	187480	722	427	128
			30	10	XBTP30SDF	187463	XBTP30SDR1F	187524	XBTP30RC1F	187481	776	427	128
			36	12	XBTP36SDF	187464	XBTP36SDR1F	187525	XBTP36RC1F	187482	830	427	128
			42	14	XBTP42SDF	187465	XBTP42SDR1F	187526	XBTP42RC1F	187483	884	427	128
			48	16	XBTP48SDF	187466	XBTP48SDR1F	187527	XBTP48RC1F	187484	938	427	128
			54	18	XBTP54SDF	187467	XBTP54SDR1F	187528	XBTP54RC1F	187485	992	427	128
		Surface	12	4	XBTP12SDS	187468	XBTP12SDR1S	187529	XBTP12RC1S	187486	587	400	128
			18	6	XBTP18SDS	187469	XBTP18SDR1S	187530	XBTP18RC1S	187487	641	400	128
			24	8	XBTP24SDS	187470	XBTP24SDR1S	187531	XBTP24RC1S	187488	695	400	128
			30	10	XBTP30SDS	187471	XBTP30SDR1S	187532	XBTP30RC1S	187489	749	400	128
			36	12	XBTP36SDS	187472	XBTP36SDR1S	187533	XBTP36RC1S	187490	803	400	128
			42	14	XBTP42SDS	187473	XBTP42SDR1S	187475	XBTP42RC1S	187491	857	400	128
			48	16	XBTP48SDS	187474	XBTP48SDR1S	187476	XBTP48RC1S	187492	911	400	128
			54	18	XBTP54SDS	187520	XBTP54SDR1S	187477	XBTP54RC1S	187493	965	400	128

Ordering and dimension details

1 - Non-split type DBs

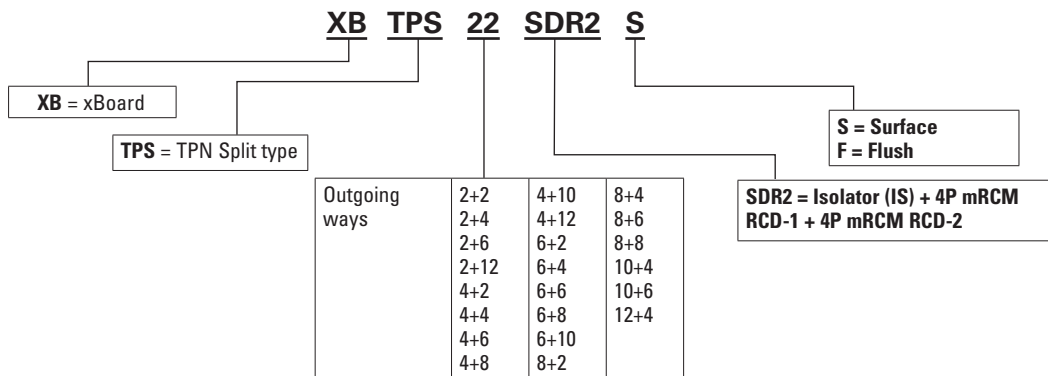
Type	Busbar rating	Type of mounting	Outgoing ways		Incomer provision BZM1 3P	Article number	Dimensions (mm)		
			SP	TP			H	W	D
TPN DB (MCCB incomer)	125A	Flush	12	4	XBTP12B1F	187494	614	427	128
			18	6	XBTP18B1F	187495	668	427	128
			24	8	XBTP24B1F	187496	722	427	128
			30	10	XBTP30B1F	187497	776	427	128
			36	12	XBTP36B1F	187498	830	427	128
			42	14	XBTP42B1F	187499	884	427	128
			48	16	XBTP48B1F	187500	938	427	128
			54	18	XBTP54B1F	187501	992	427	128
			60	20	XBTP60B1F	187502	1046	427	128
			Surface	12	4	XBTP12B1S	187503	587	400
	18	6		XBTP18B1S	187504	641	400	128	
	24	8		XBTP24B1S	187505	695	400	128	
	30	10		XBTP30B1S	187506	749	400	128	
	36	12		XBTP36B1S	187507	803	400	128	
	42	14		XBTP42B1S	187508	857	400	128	
	48	16		XBTP48B1S	187509	911	400	128	
	54	18		XBTP54B1S	187510	965	400	128	
	60	20		XBTP60B1S	187511	1019	400	128	

Type	Busbar rating	Type of mounting	Outgoing ways		Incomer provision BZM2 3P	Article number	Dimensions (mm)		
			SP	TP			H	W	D
TPN DB (MCCB incomer)	200A	Flush	12	4	XBTP12B220F	187512	668	427	128
			18	6	XBTP18B220F	187513	722	427	128
			24	8	XBTP24B225F	187514	776	427	128
			30	10	XBTP30B225F	187515	830	427	128
			36	12	XBTP36B225F	187516	884	427	128
			42	14	XBTP42B225F	187517	938	427	128
			48	16	XBTP48B225F	187518	992	427	128
			54	18	XBTP54B225F	187519	1046	427	128
			60	20	XBTP60B225F	187584	1100	427	128
			Surface	12	4	XBTP12B220S	187585	641	400
	18	6		XBTP18B220S	187586	695	400	128	
	24	8		XBTP24B225S	187587	749	400	128	
	30	10		XBTP30B225S	187588	803	400	128	
	36	12		XBTP36B225S	187589	857	400	128	
	42	14		XBTP42B225S	187590	911	400	128	
	48	16		XBTP48B225S	187591	965	400	128	
	54	18		XBTP54B225S	187592	1019	400	128	
	60	20		XBTP60B225S	187593	1073	400	128	

Ordering and dimension details

2 - Split type DBs

Part number reference



Type	Busbar rating	Type of mounting	Outgoing ways (TP)	Part number (Isolator + 4P RCD-1 + 4P RCD-2)	Article number	Dimensions (mm)				
						H	W	D		
TPN DB (Din rail incomer)	100A	Flush	2+2	XBTPS22SDR2F	187601	614	427	128		
			2+4	XBTPS24SDR2F	187602	668	427	128		
			2+6	XBTPS26SDR2F	187603	722	427	128		
			2+12	XBTPS212SDR2F	187604	884	427	128		
			4+2	XBTPS42SDR2F	187605	668	427	128		
			4+4	XBTPS44SDR2F	187606	722	427	128		
			4+6	XBTPS46SDR2F	187607	776	427	128		
			4+8	XBTPS48SDR2F	187608	830	427	128		
			4+10	XBTPS410SDR2F	187609	884	427	128		
			4+12	XBTPS412SDR2F	187610	938	427	128		
			6+2	XBTPS62SDR2F	187611	722	427	128		
			6+4	XBTPS64SDR2F	187612	776	427	128		
			6+6	XBTPS66SDR2F	187613	830	427	128		
			6+8	XBTPS68SDR2F	187614	884	427	128		
		6+10	XBTPS610SDR2F	187615	938	427	128			
		8+2	XBTPS82SDR2F	187616	776	427	128			
		8+4	XBTPS84SDR2F	187617	830	427	128			
		8+6	XBTPS86SDR2F	187618	884	427	128			
		8+8	XBTPS88SDR2F	187619	938	427	128			
		10+4	XBTPS104SDR2F	187620	884	427	128			
		10+6	XBTPS106SDR2F	187621	938	427	128			
		12+4	XBTPS124SDR2F	187622	938	427	128			
		Surface			2+2	XBTPS22SDR2S	187623	587	400	128
					2+4	XBTPS24SDR2S	187624	641	400	128
					2+6	XBTPS26SDR2S	187625	695	400	128
					2+12	XBTPS212SDR2S	187626	857	400	128
4+2	XBTPS42SDR2S				187627	641	400	128		
4+4	XBTPS44SDR2S				187628	695	400	128		
4+6	XBTPS46SDR2S				187629	749	400	128		
4+8	XBTPS48SDR2S				187630	803	400	128		
4+10	XBTPS410SDR2S				187631	857	400	128		
4+12	XBTPS412SDR2S				187632	911	400	128		
6+2	XBTPS62SDR2S				187633	695	400	128		
6+4	XBTPS64SDR2S				187634	749	400	128		
6+6	XBTPS66SDR2S				187635	803	400	128		
6+8	XBTPS68SDR2S				187636	857	400	128		
6+10	XBTPS610SDR2S				187637	911	400	128		
8+2	XBTPS82SDR2S				187638	749	400	128		
8+4	XBTPS84SDR2S				187639	803	400	128		
8+6	XBTPS86SDR2S				187640	857	400	128		
8+8	XBTPS88SDR2S				187641	911	400	128		
10+4	XBTPS104SDR2S				187642	857	400	128		
10+6	XBTPS106SDR2S				187643	911	400	128		
12+4	XBTPS124SDR2S				187644	911	400	128		

Selection of incomers and outgoers

xBoard - TPN non-split board



xBoard - TPN split board



Outgoing devices



Incoming devices



Eaton mMC range of MCBs

- Up to 63A
- 4.5kA/6kA/10kA
- 1P, 2P and 3P



Eaton eRBM range of RCBOs

- Up to 45A
- 1P + N
- 10/30/100/300mA

Eaton range of din rail incomers

For Non-split type DB:

- IS Isolators - 3P and 4P
- mMC Range of MCBs - 3P and 4P
- mRCM Range of RCDs - 4P
- IS Isolators + mRCM RCDs (4P)

For split type DB:

- IS Isolators + mRCM RCD-1 (4P) + mRCM RCD-2 (4P)



Eaton range of MCCBs

- BZM1 MCCBs - 3P
- BZM2 MCCBs - 3P

A. Molded Case Circuit Breakers

BZM1



Rated current =rated uninterrupted current $I_n=I_u$ A	Short circuit releases / A $I >$	Domestic switching capacity 15kA at 415V 50/60Hz Part no. Article no. 1 of each	Economy switching capacity 18kA at 415V 50/60Hz Part no. Article no. 1 of each
3-pole			
Cable lug terminal			
16	256-384	BZMD1-A16 109706	BZME1-A16 109707
20	256-384	BZMD1-A20 109709	BZME1-A20 109710
25	320-480	BZMD1-A25 109712	BZME1-A25 109713
32	320-480	BZMD1-A32 109715	BZME1-A32 109716
40	320-480	BZMD1-A40 109718	BZME1-A40 109719
50	480-720	BZMD1-A50 109721	BZME1-A50 109722
63	480-720	BZMD1-A63 109724	BZME1-A63 109725
80	800-1200	BZMD1-A80 109727	BZME1-A80 109728
100	800-1200	BZMD1-A100 109730	BZME1-A100 109731
125	800-1200	BZMD1-A125 112490	BZME1-A125 112492

BZM2



Rated current =rated uninterrupted current $I_n=I_u$ A	Short circuit releases / A $I >$	Basic switching capacity 25kA at 415V 50/60Hz Part no. Article no. 1 of each
3-pole		
Cable lug terminal		
125	1400-2100	BZMB2-A125 119732
160	1400-2100	BZMB2-A160 116970
200	1400-2100	BZMB2-A200 116971
250	1400-2100	BZMB2-A250 116972

Note: Overload release and short circuit release are fixed not adjustable for BZM MCCBs

B. Main Load Disconnector Switches (Isolator) IS

SG10811



SG10911



Rated current In (A)	Poles	Type designation	Article no.
3-pole			
16	3	IS-16/3	276256
20	3	IS-20/3	276260
25	3	IS-25/3	276264
32	3	IS-32/3	276268
40	3	IS-40/3	276272
63	3	IS-63/3	276276
80	3	IS-80/3	276280
100	3	IS-100/3	276284
125	3	IS-125/3	276288

4-pole			
16	4	IS-16/4	276257
20	4	IS-20/4	276261
25	4	IS-25/4	276265
32	4	IS-32/4	276269
40	4	IS-40/4	276273
63	4	IS-63/4	276277
80	4	IS-80/4	276281
100	4	IS-100/4	276285
125	4	IS-125/4	276289

C. Residual Current Devices mRCM Conditionally surge current-proof 250A, type AC

SG67412



In/Δn (A)	Poles	Type designation	Article no.
4-pole			
25/0.03	4	mRCM-25/4/003	142781
25/0.1	4	mRCM-25/4/01	142783
25/0.3	4	mRCM-25/4/03	142785
40/0.03	4	mRCM-40/4/003	142787
40/0.1	4	mRCM-40/4/01	142789
40/0.3	4	mRCM-40/4/03	142791
63/0.03	4	mRCM-63/4/003	142793
63/0.1	4	mRCM-63/4/01	142795
63/0.3	4	mRCM-63/4/03	142797
80/0.03	4	mRCM-80/4/003	142799
80/0.1	4	mRCM-80/4/01	142801
80/0.3	4	mRCM-80/4/03	142803
100/0.03	4	mRCM-100/4/003	142805
100/0.1	4	mRCM-100/4/01	142807
100/0.3	4	mRCM-100/4/03	142809

Note: For other types of RCD's Breakers Please consult our modular circuit protection devices catalog.

D. Miniature Circuit Breakers

SG66512



Rated current In (A)	Type designation mMCM/ 10KA, Characteristic C	Article no.	Type designation mMC6/ 6KA, Characteristic C	Article no.	Type designation mMC4/ 4.5KA, Characteristic C	Article no.
3-pole						
1	mMCM-C1/3	139112	mMC6-C1/3	139072	mMC4-C1/3	139032
2	mMCM-C2/3	139113	mMC6-C2/3	139073	mMC4-C2/3	139033
3	mMCM-C3/3	139114	mMC6-C3/3	139074	mMC4-C3/3	139034
4	mMCM-C4/3	139115	mMC6-C4/3	139075	mMC4-C4/3	139035
5	mMCM-C5/3	170077	mMC6-C5/3	170005	mMC4-C5/3	169937
6	mMCM-C6/3	139116	mMC6-C6/3	139076	mMC4-C6/3	139036
8	mMCM-C8/3	170078	mMC6-C8/3	170006	mMC4-C8/3	169938
10	mMCM-C10/3	139117	mMC6-C10/3	139077	mMC4-C10/3	139037
12	mMCM-C12/3	170079	mMC6-C12/3	170007	mMC4-C12/3	169939
13	mMCM-C13/3	139118	mMC6-C13/3	139078	mMC4-C13/3	139038
15	mMCM-C15/3	170080	mMC6-C15/3	170008	mMC4-C15/3	169940
16	mMCM-C16/3	139119	mMC6-C16/3	139079	mMC4-C16/3	139039
20	mMCM-C20/3	139120	mMC6-C20/3	139080	mMC4-C20/3	139040
25	mMCM-C25/3	139121	mMC6-C25/3	139081	mMC4-C25/3	139041
32	mMCM-C32/3	139122	mMC6-C32/3	139082	mMC4-C32/3	139042
40	mMCM-C40/3	139123	mMC6-C40/3	139083	mMC4-C40/3	139043
50	mMCM-C50/3	139124	mMC6-C50/3	139084	mMC4-C50/3	139044
63	mMCM-C63/3	139125	mMC6-C63/3	139085	mMC4-C63/3	139045

SG66912



4-pole						
1	mMCM-C1/4	139232	mMC6-C1/4	139192	mMC4-C1/4	139152
2	mMCM-C2/4	139233	mMC6-C2/4	139193	mMC4-C2/4	139153
3	mMCM-C3/4	139234	mMC6-C3/4	139194	mMC4-C3/4	139154
4	mMCM-C4/4	139235	mMC6-C4/4	139195	mMC4-C4/4	139155
5	mMCM-C5/4	170085	mMC6-C5/4	170013	mMC4-C5/4	169889
6	mMCM-C6/4	139236	mMC6-C6/4	139196	mMC4-C6/4	139156
8	mMCM-C8/4	170086	mMC6-C8/4	170014	mMC4-C8/4	169890
10	mMCM-C10/4	139237	mMC6-C10/4	139197	mMC4-C10/4	139157
12	mMCM-C12/4	170087	mMC6-C12/4	170015	mMC4-C12/4	169891
13	mMCM-C13/4	139238	mMC6-C13/4	139198	mMC4-C13/4	139158
15	mMCM-C15/4	170088	mMC6-C15/4	170016	mMC4-C15/4	169892
16	mMCM-C16/4	139239	mMC6-C16/4	139199	mMC4-C16/4	139159
20	mMCM-C20/4	139240	mMC6-C20/4	139200	mMC4-C20/4	139160
25	mMCM-C25/4	139241	mMC6-C25/4	139201	mMC4-C25/4	139161
32	mMCM-C32/4	139242	mMC6-C32/4	139202	mMC4-C32/4	139162
40	mMCM-C40/4	139243	mMC6-C40/4	139203	mMC4-C40/4	139163
50	mMCM-C50/4	139244	mMC6-C50/4	139204	mMC4-C50/4	139164
63	mMCM-C63/4	139245	mMC6-C63/4	139205	mMC4-C63/4	139165

Note: For other types of MCB Breakers Please consult our modular circuit protection devices catalog.

A. Miniature Circuit Breakers

SG65412



Rated current In (A)	Type designation mMCM/ 10KA, characteristic C	Article no.	Type designation mMC6/ 6KA, characteristic C	Article no.	Type designation mMC4/ 4.5KA, characteristic C	Article no.
1-pole						
1	mMCM-C1/1	138872	mMC6-C1/1	138832	mMC4-C1/1	138792
2	mMCM-C2/1	138873	mMC6-C2/1	138833	mMC4-C2/1	138793
3	mMCM-C3/1	138874	mMC6-C3/1	138834	mMC4-C3/1	138794
4	mMCM-C4/1	138875	mMC6-C4/1	138835	mMC4-C4/1	138795
5	mMCM-C5/1	170065	mMC6-C5/1	169993	mMC4-C5/1	169925
6	mMCM-C6/1	138876	mMC6-C6/1	138836	mMC4-C6/1	138796
8	mMCM-C8/1	170066	mMC6-C8/1	169994	mMC4-C8/1	169926
10	mMCM-C10/1	138877	mMC6-C10/1	138837	mMC4-C10/1	138797
12	mMCM-C12/1	170067	mMC6-C12/1	169995	mMC4-C12/1	169927
13	mMCM-C13/1	138878	mMC6-C13/1	138838	mMC4-C13/1	138798
15	mMCM-C15/1	170068	mMC6-C15/1	169996	mMC4-C15/1	169928
16	mMCM-C16/1	138879	mMC6-C16/1	138839	mMC4-C16/1	138799
20	mMCM-C20/1	138880	mMC6-C20/1	138840	mMC4-C20/1	138800
25	mMCM-C25/1	138881	mMC6-C25/1	138841	mMC4-C25/1	138801
32	mMCM-C32/1	138882	mMC6-C32/1	138842	mMC4-C32/1	138802
40	mMCM-C40/1	138883	mMC6-C40/1	138843	mMC4-C40/1	138803
50	mMCM-C50/1	138884	mMC6-C50/1	138844	mMC4-C50/1	138804
63	mMCM-C63/1	138885	mMC6-C63/1	138845	mMC4-C63/1	138805

SG66212



2-pole						
1	mMCM-C1/2	138992	mMC6-C1/2	138952	mMC4-C1/2	138912
2	mMCM-C2/2	138993	mMC6-C2/2	138953	mMC4-C2/2	138913
3	mMCM-C3/2	138994	mMC6-C3/2	138954	mMC4-C3/2	138914
4	mMCM-C4/2	138995	mMC6-C4/2	138955	mMC4-C4/2	138915
5	mMCM-C5/2	170073	mMC6-C5/2	170001	mMC4-C5/2	169933
6	mMCM-C6/2	138996	mMC6-C6/2	138956	mMC4-C6/2	138916
8	mMCM-C8/2	170074	mMC6-C8/2	170002	mMC4-C8/2	169934
10	mMCM-C10/2	138997	mMC6-C10/2	138957	mMC4-C10/2	138917
12	mMCM-C12/2	170075	mMC6-C12/2	170003	mMC4-C12/2	169935
13	mMCM-C13/2	138998	mMC6-C13/2	138958	mMC4-C13/2	138918
15	mMCM-C15/2	170076	mMC6-C15/2	170004	mMC4-C15/2	169936
16	mMCM-C16/2	138999	mMC6-C16/2	138959	mMC4-C16/2	138919
20	mMCM-C20/2	139000	mMC6-C20/2	138960	mMC4-C20/2	138920
25	mMCM-C25/2	139001	mMC6-C25/2	138961	mMC4-C25/2	138921
32	mMCM-C32/2	139002	mMC6-C32/2	138962	mMC4-C32/2	138922
40	mMCM-C40/2	139003	mMC6-C40/2	138963	mMC4-C40/2	138923
50	mMCM-C50/2	139004	mMC6-C50/2	138964	mMC4-C50/2	138924
63	mMCM-C63/2	139005	mMC6-C63/2	138965	mMC4-C63/2	138925

SG66512



3-pole						
1	mMCM-C1/3	139112	mMC6-C1/3	139072	mMC4-C1/3	139032
2	mMCM-C2/3	139113	mMC6-C2/3	139073	mMC4-C2/3	139033
3	mMCM-C3/3	139114	mMC6-C3/3	139074	mMC4-C3/3	139034
4	mMCM-C4/3	139115	mMC6-C4/3	139075	mMC4-C4/3	139035
5	mMCM-C5/3	170077	mMC6-C5/3	170005	mMC4-C5/3	169937
6	mMCM-C6/3	139116	mMC6-C6/3	139076	mMC4-C6/3	139036
8	mMCM-C8/3	170078	mMC6-C8/3	170006	mMC4-C8/3	169938
10	mMCM-C10/3	139117	mMC6-C10/3	139077	mMC4-C10/3	139037
12	mMCM-C12/3	170079	mMC6-C12/3	170007	mMC4-C12/3	169939
13	mMCM-C13/3	139118	mMC6-C13/3	139078	mMC4-C13/3	139038
15	mMCM-C15/3	170080	mMC6-C15/3	170008	mMC4-C15/3	169940
16	mMCM-C16/3	139119	mMC6-C16/3	139079	mMC4-C16/3	139039
20	mMCM-C20/3	139120	mMC6-C20/3	139080	mMC4-C20/3	139040
25	mMCM-C25/3	139121	mMC6-C25/3	139081	mMC4-C25/3	139041
32	mMCM-C32/3	139122	mMC6-C32/3	139082	mMC4-C32/3	139042
40	mMCM-C40/3	139123	mMC6-C40/3	139083	mMC4-C40/3	139043
50	mMCM-C50/3	139124	mMC6-C50/3	139084	mMC4-C50/3	139044
63	mMCM-C63/3	139125	mMC6-C63/3	139085	mMC4-C63/3	139045

**B. Electronic Combined RCD/MCB Devices eRBM-ME,
1 Module Unit
1+N- Pole
Conditionally surge current-proof 250A, type AC**

SG07911



In/ Δn (A)	Type designation	Article no.
Characteristic C		
6/0.01	eRBM-6/1/C/001-ME	153230
8/0.01	eRBM-8/1/C/001-ME	153231
10/0.01	eRBM-10/1/C/001-ME	153232
13/0.01	eRBM-13/1/C/001-ME	153233
16/0.01	eRBM-16/1/C/001-ME	153234
20/0.01	eRBM-20/1/C/001-ME	153235
25/0.01	eRBM-25/1/C/001-ME	153236
32/0.01	eRBM-32/1/C/001-ME	153237
40/0.01	eRBM-40/1/C/001-ME	153238
45/0.01	eRBM-45/1/C/001-ME	153239
6/0.03	eRBM-6/1/C/003-ME	153240
8/0.03	eRBM-8/1/C/003-ME	153241
10/0.03	eRBM-10/1/C/003-ME	153242
13/0.03	eRBM-13/1/C/003-ME	153243
16/0.03	eRBM-16/1/C/003-ME	153244
20/0.03	eRBM-20/1/C/003-ME	153245
25/0.03	eRBM-25/1/C/003-ME	153246
32/0.03	eRBM-32/1/C/003-ME	153247
40/0.03	eRBM-40/1/C/003-ME	153248
45/0.03	eRBM-45/1/C/003-ME	153249
6/0.1	eRBM-6/1/C/01-ME	153250
8/0.1	eRBM-8/1/C/01-ME	153251
10/0.1	eRBM-10/1/C/01-ME	153252
13/0.1	eRBM-13/1/C/01-ME	153253
16/0.1	eRBM-16/1/C/01-ME	153254
20/0.1	eRBM-20/1/C/01-ME	153255
25/0.1	eRBM-25/1/C/01-ME	153256
32/0.1	eRBM-32/1/C/01-ME	153257
40/0.1	eRBM-40/1/C/01-ME	153258
45/0.1	eRBM-45/1/C/01-ME	153259
6/0.3	eRBM-6/1/C/03-ME	153260
8/0.3	eRBM-8/1/C/03-ME	153261
10/0.3	eRBM-10/1/C/03-ME	153262
13/0.3	eRBM-13/1/C/03-ME	153263
16/0.3	eRBM-16/1/C/03-ME	153264
20/0.3	eRBM-20/1/C/03-ME	153265
25/0.3	eRBM-25/1/C/03-ME	153266
32/0.3	eRBM-32/1/C/03-ME	153267
40/0.3	eRBM-40/1/C/03-ME	153268
45/0.3	eRBM-45/1/C/03-ME	153269

1. Canopy for higher ingress protection (IP 42)



Technical specifications

- In order to provide a higher ingress protection, a canopy can be used to achieve IP42.
- Color available as standard RAL 7035, other colors is available upon request
- Used only for surface type.

Part number	Description	Article number
XBTPIP42S	xBoard non split and split type TPN board IP42 canopy for surface type	187598

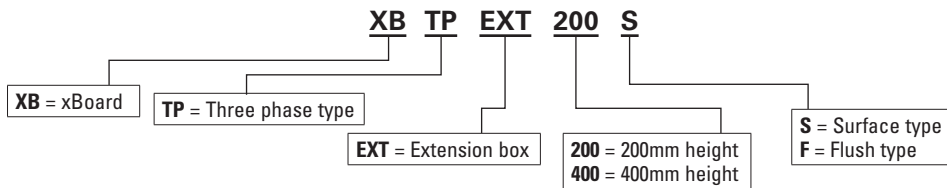
2. Extension box



Technical specifications

- Available in flush and surface design
- Fitted with removable din rail (1 and 2 row – for 200mm height - 1 removable din rail, for 400mm height - 2 removable din rails)
- Removable front cover
- TPN DBs bottom/top gland plate will be used to close the bottom/top side
- Color available as standard RAL 7035, other colors is available upon request

Part number selection



Part numbers	Article number	Type of mounting	Dimensions (mm)		
			H	W	D
XBTPEXT200F	187594	Flush	200	427	128
XBTPEXT200S	187596	Surface	200	400	128
XBTPEXT400F	187595	Flush	400	427	128
XBTPEXT400S	187597	Surface	400	400	128

3. Blank plate and terminal cap



Technical specifications

- Unique blanking modules can be used to cover unused outgoing ways. The blanking module is the profile of an MCB, so that it shrouds the busbar stab as well for increased safety.
- Hence, the blanking plates are used to cover unused MCB ways in the distribution boards front cover.
- Available in grey color(similar to RAL 7035)

Part number	Description	Article number
XBBLKPLT3	3 pole blank plate	187599

4. Key lock



Technical specifications

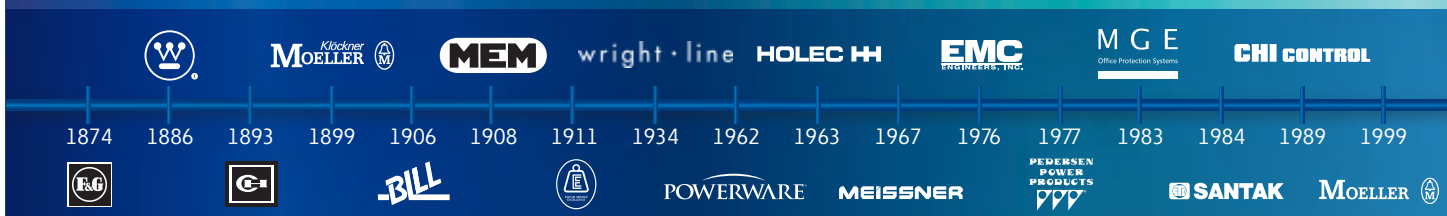
- Robust spring loaded door catch with key lock
- Provided with two keys
- Available in silver color
- Replaceable at site

Part number	Description	Article number
XBKEYLOCK	Metal lock with 2 keys	187600



EAT•N

The power of fusion.



EAT•N

Powering Business Worldwide

There's a certain energy at Eaton. It's the power of uniting some of the world's most respected names to build a brand you can trust to meet every power management need. The energy created supports our commitment to powering business worldwide.

Eaton is dedicated to ensuring that reliable, efficient and safe power is available when it's needed most. With unparalleled knowledge of electrical power management across industries, experts at Eaton deliver customized, integrated solutions to solve our customers' most critical challenges. Eaton.com/Electrical.

All of the above are trademarks of Eaton Corporation or its affiliates. Eaton has a license to use the Westinghouse brand name in Asia Pacific. ©2012 Eaton Corporation.

UAE**Middle East Headquarters**

Techno Park, Jebel Ali (South)
P.O. Box 261768
Dubai, United Arab Emirates
Tel: +971 4 8066100
Fax: +971 4 8894813

Kuwait

Shayma Tower, Mezzanine Floor
Omar Bin Al Khattab Street Sharq, Kuwait
Tel: +965 22253606
Fax: +965 22253608

Saudi Arabia

King Abdullah Street (Ex. Dhahran St.)
Dhahran Center, 1st Floor Office101
P.O. Box 620
Al-Khobar 31952, Saudi Arabia
Tel: +966 1 38825424 | 8825680
Fax: +966 1 38825732

Lebanon

Sin El Fil, Saydet Al Wardiyeh street
Beirut Symposium building
2nd floor, Office 2A
Tel/ Fax: +961 1 494711

Qatar

Eaton Corporation
Financial Square Building
Building 2, Floor 2, Office 3
C Ring road
Doha, Qatar
Tel: +974 44674273
Fax: +974 44667134

Saudi Arabia

Saad Al-Ajlan Trade Center 1st Floor
Office 9, Olaya Main Street
P.O. Box 19651
Riyadh 11445 - K.S.A.
Tel: +966 1 14602275 | 288-6238
Fax: +966 1 14602291

Jordan

Amman-Mecca & Madina streets
intersection
Al-Haramien intersection.
Al Hajar Al Aswad Cplx,
3rd floor - Office 306
Tel: + 962 6 5542538

Oman

109, Maktabi Building,
Near Zakher Mall, Al Khuwair
P.O. Box 1982, PC 111 CPO
Oman.
Tel: +968 24391973
Fax: +968 24483801

Eaton

Middle East Headquarters
Techno Park, Jebel Ali (South)
P.O. Box 261768
Dubai, United Arab Emirates
Tel: +971 4 8066100
Fax: +971 4 8894813
www.eaton.com

© 2017 Eaton
All Rights Reserved
Publication No. CA014008EN / CSSC TRE-P-062
January 2017



Powering Business Worldwide